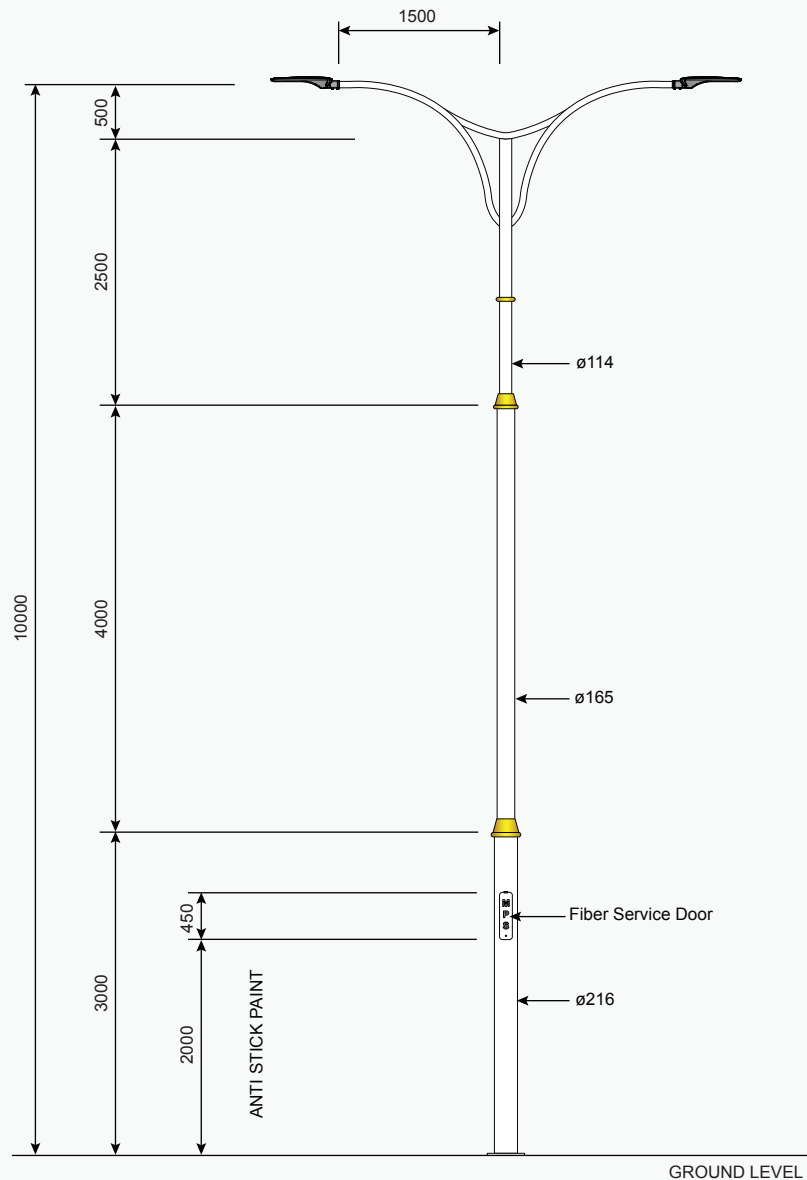




Southport Pole - Flange Mounted

Technical Specification



DESIGN CONDITIONS

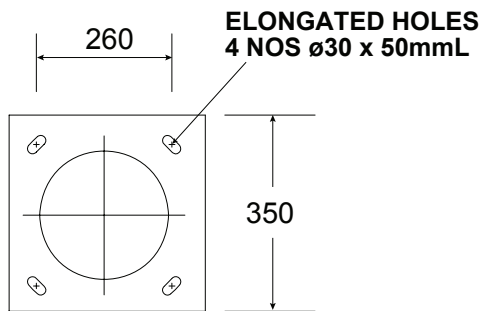
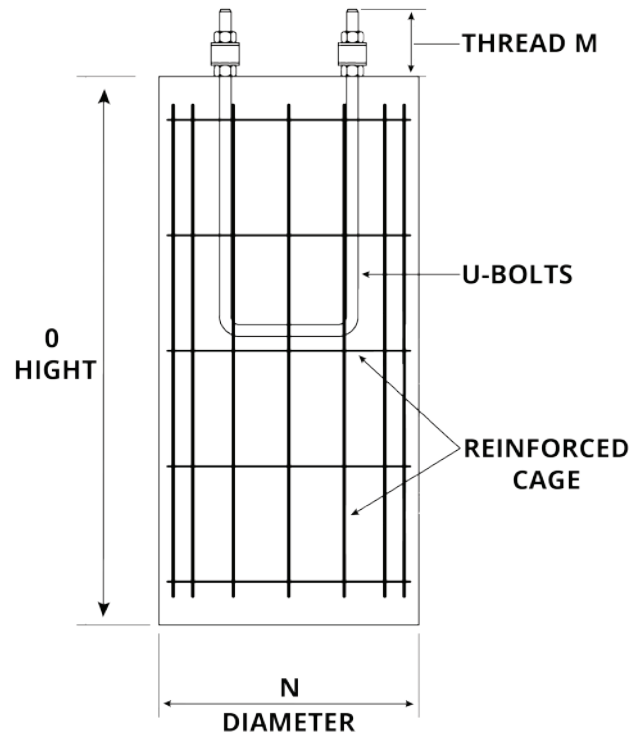
Basic Wind Speed	35 m/s
------------------	--------

STANDARDS

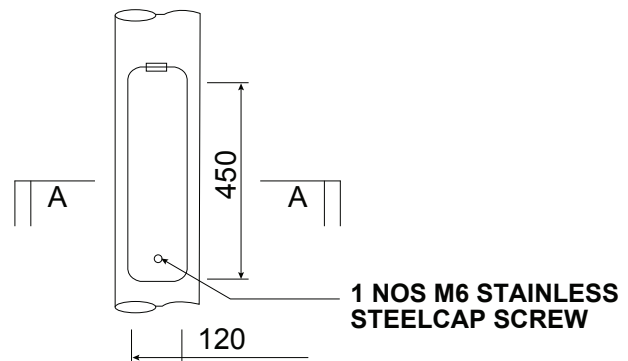
Pole Design	BS EN 40
Material	BS EN 10210, BS EN 10025
Welding (Electric Arc Welding)	BS EN 1011
Galvanizing	BS EN 1461:1999
Powder Coating	BS EN 13438:2005
QMS	ISO 9001:2008
SIRIM Galvanized Test	>55mm

Southport Pole - Flange Mounted

Technical Specification



FLANGE PLATE



SERVICE DOOR DETAIL

