

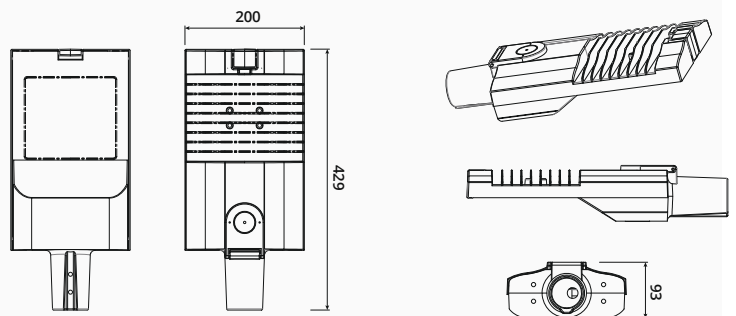


Vero ST Series

Technical Specification

FEATURES

Ingress Protection	IP66
Impact Protection	IK09
Input voltage	220V-240V I Universal Input
Lumen Maintenance	L80 @ 50,000 hours
Colour Rendering Index (CRI)	>70 - 80
Working Temperature	-25°C - 50°C
Storage Temperature	-25°C - 80°C
Power Factor	>0.95 at Full Load
THD	<20% at Full Load
Lighting Class - Compliance	ME (Others available on request)

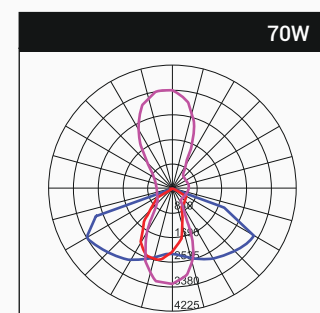
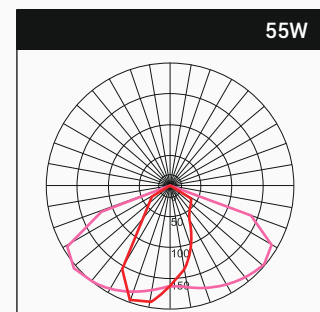


*all dimensions in mm

MATERIALS/COMPONENTS

Casing material	Pressure casted Aluminum ADC12, Powder-coated Finishing
Cover	Tempered Glass
Dimming	Support DALI, 1-10V (Optional)
NEMA Socket	Support NEMA (Optional)
Additional Features	High Efficiency LEDs

PHOTOMETRIC DATA



SPECIFICATION (BASIC)

Model No.	Power	Lamp	Input current	Weight	CCT	Efficacy	Lumen
Vero ST B30	30W	6 LEDs	0.13A	3.4kg	<3500K	102 lm/w	3,050 lm
					4000K	103 lm/w	3,090 lm
					5000K	104 lm/w	3,130 lm
					6000K	105 lm/w	3,150 lm
Vero ST B45	45W	9 LEDs	0.19A	3.6kg	<3500K	102 lm/w	4,580 lm
					4000K	103 lm/w	4,640 lm
					5000K	104 lm/w	4,660 lm
					6000K	104 lm/w	4,680 lm
Vero ST B55	55W	12 LEDs	0.23A	3.6kg	<3500K	108 lm/w	5,950 lm
					4000K	110 lm/w	6,050 lm
					5000K	112 lm/w	6,150 lm
					6000K	113 lm/w	6,200 lm
Vero ST B70	70W	15 LEDs	0.30A	3.7kg	<3500K	107 lm/w	7,500 lm
					4000K	109 lm/w	7,620 lm
					5000K	110 lm/w	7,700 lm
					6000K	111 lm/w	7,750 lm
Vero ST B80	80W	18 LEDs	0.34A	4kg	<3500K	108 lm/w	8,650 lm
					4000K	110 lm/w	8,800 lm
					5000K	112 lm/w	8,990 lm
					6000K	113 lm/w	9,050 lm

*Flux data based Ta = 25°C
*CCT & Lumen +10%

Vero ST Series

Technical Specification



Smart control for dimming
NEMA socket : Support NEMA (optional)



Installation Bore Diameter
Available in $\varnothing 36\text{mm}$ & $\varnothing 50\text{mm}$

Casing material
pressure casted aluminum ADC12,
powder-coated finishing

Interchangeable spigot



High transparency
tempered glass cover

IP66 protection
compartment



LED module
can be 6 to 24 LEDs

