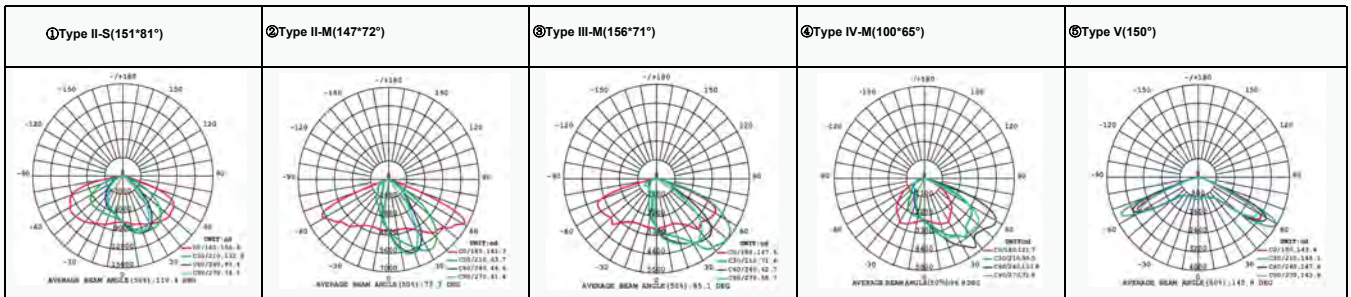
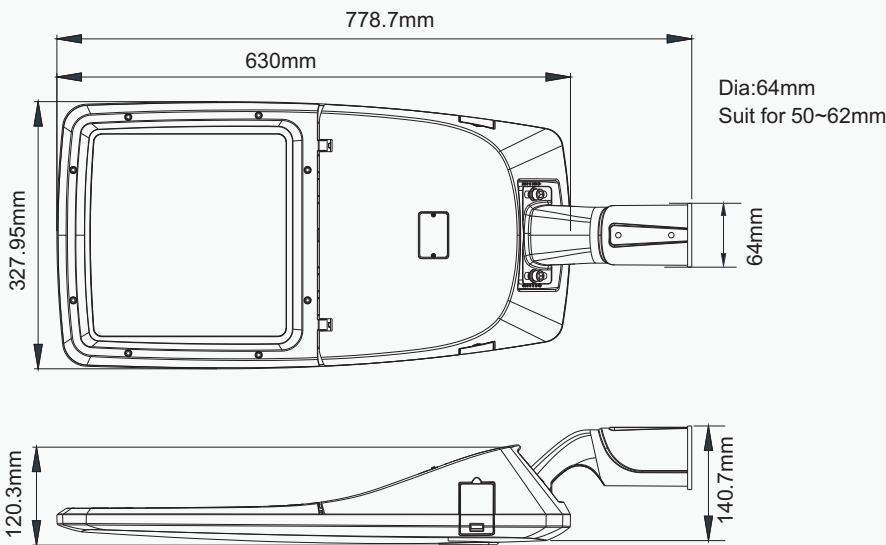




# Zavia Large ST Series

## Technical Specification



### LED

Type:	Zavia Large ST
Light Watts	200W   240W
Lumens	140lm/W
CCT	Standard 4000K (Other options available)
Ingress Protection	IP66
Impact Protection	IK10
Operating Temperature	-40°C ~ 50°C
Storage Temperature	-40°C ~ 80°C
Material	Aluminum