



Ryko - ST Series

Technical Specification

- IK08
- IP66 Waterproof, Dust-proof
- 50,000-hour Life-cycle
- 140 Lumens Per Watt
- Optional PE Cell and NEMA Socket
- Die Cast Aluminium Casing
- 5 Year Warranty

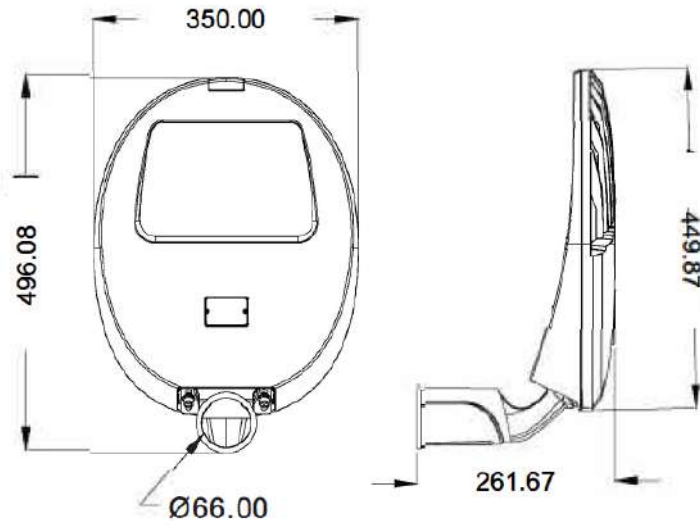


LED

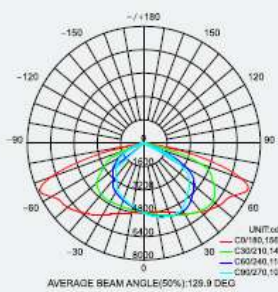
Type:	Ryko ST
Watts	20W 30W 60W 80W 100W 120W 150W 200W
Lumens	140lm/W
CCT	3000K - 5700K (Standard 4000K)
Ingress Protection	IP66 & Water-proof
Impact Protection	IK08
Weight	8.5kg
Material	Die-Casting Aluminum
CRI	>70
Operating Temp.	-40°C ~ 50°C
Storage Temp.	-40°C ~ 80°C



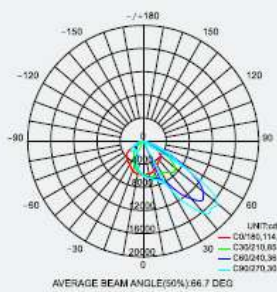
Technical Specification



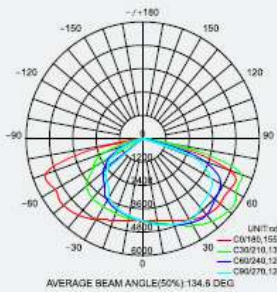
Photometric Data



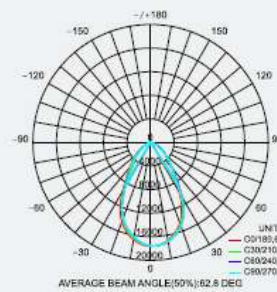
Type II-M(155*105°)



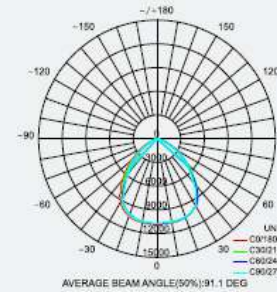
Type II(117*34°)



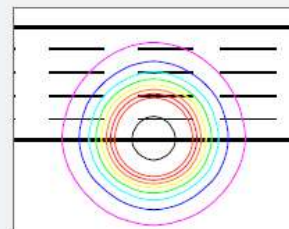
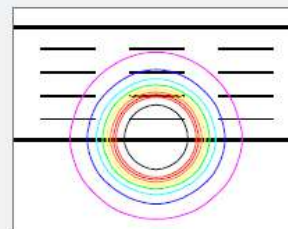
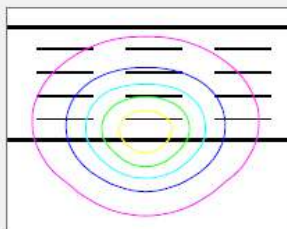
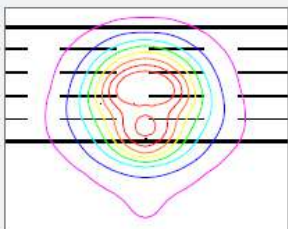
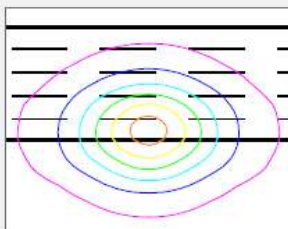
Type III(155*120°)



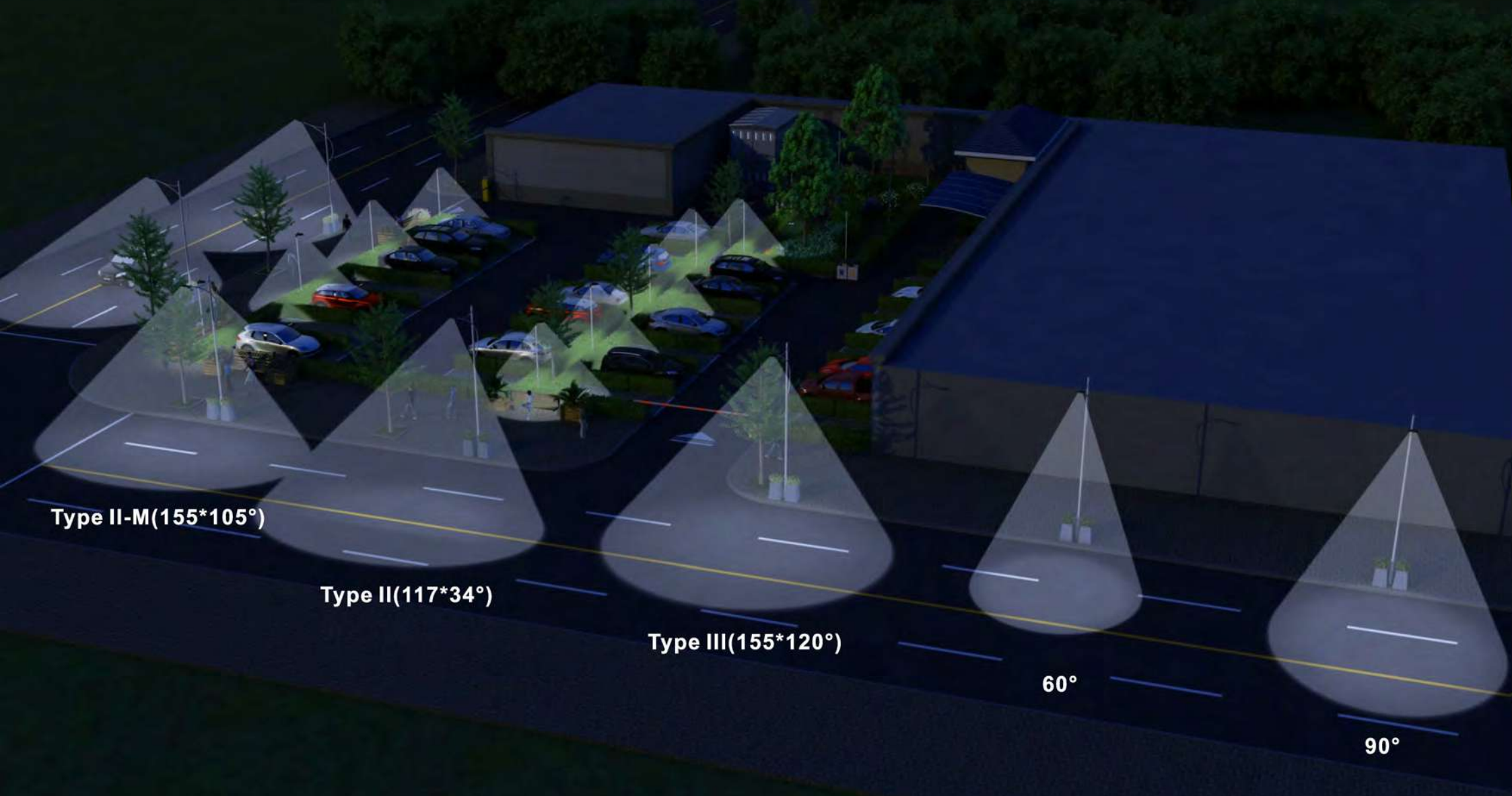
60°



90°







Type II-M(155*105°)

Type II(117*34°)

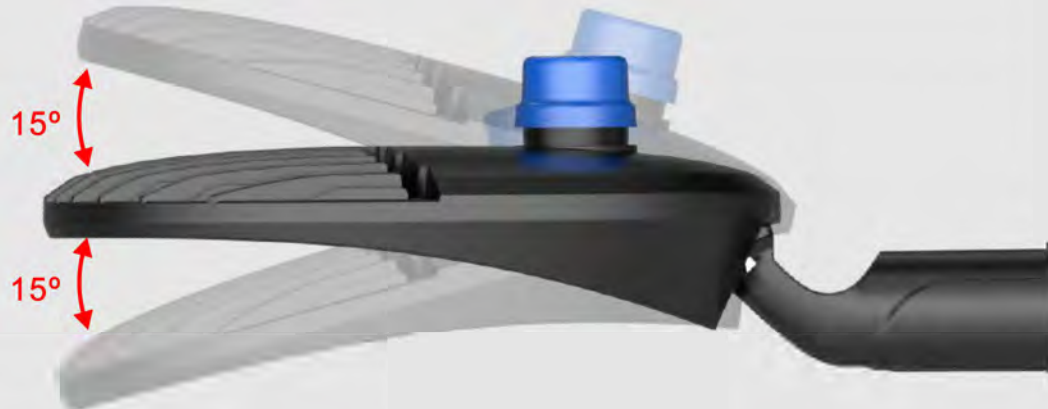
Type III(155*120°)

60°

90°



Lamp mounting for Post Top Pole Application



Lamp mounting for Horizontal Application

Mounting Bracket with 2 installations
 ± 15 Adjustable Degree .



- ① Die Cast Aluminium Heat Sink Housing
- ② 5 Beam Width Options
- ③ High Illumination SMD5050 LEDs
- ④ IP66 Waterproof Rubber Seal
- ⑤ Meanwell/Sosen Premium Driver
- ⑥ Easy Connect Terminal Block
- ⑦ 10KV / 20KV Surge Protection Device
- ⑧ Stainless Steel Lid Support
- ⑨ IP66 Waterproof Connector
- ⑩ Power-Shutoff Connector
- ⑪ 4mm Tempered Glass

Convenient Access with power-safe shutoff switch.

