

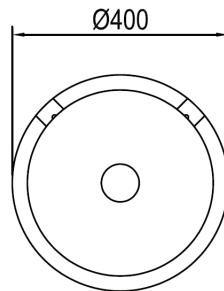
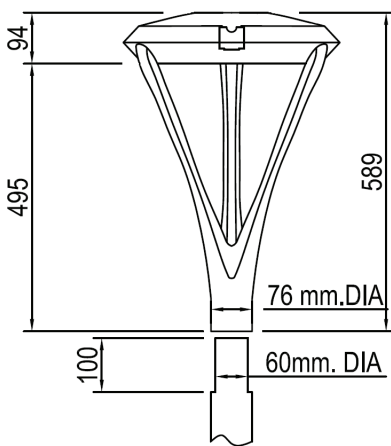


Novo PT Series Light

Technical Specifications

Premium Post Top Lamp

Optimized for cleaner, lower glare illumination and greater uniformity, the Novo Post Top Light efficiently supplies more soft light to Pathways, Car Parks, Gardens and Building Precincts. This light is very popular with designers and architects, enhancing many new projects with its timeless design.



- Corrosion resistant construction, to sustain long term appearance even in harsh weather.
- Aluminium one-piece die-casting design with internal cooling fins.
- Stable mechanical system prevents damage from vibration.
- Moulded silicone gaskets throughout ensures watertight sealing and provides IP66 ingress protection.
- Tempered glass with IK09 impact resistance.
- Premium ultra AKZO polyester powder coating to withstand extended exposure to the elements and to protect against ultraviolet degeneration.

Energy Saving

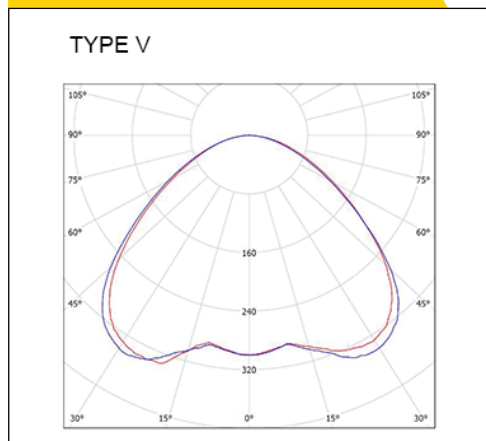
Efficacy
up to
110LPW

Energy Saving
up to
90%

Novo PT Series Light

Technical Specifications

Photometric Data



LED

Type:	Novo Post Top Light
System watts	25W / 35W / 58W
Efficacy (LPW)	110LPW
Input Voltage	AC100-277V / AC347-480V for option
Colour temp (K)	2700K / 3000K / 4000K / 5000K / 6000K
CRI (Ra)	Ra>70 as standard
Light distribution	Type V
IP Rating	IP66
IK Rating	IK08
Dimming Option	1-10V (0-10V), Timmer Programmable, DALI Dimming
Sensor Option	Photocell on/off, Photocell Dimming, Microwave Motion Sensor, PIR Sensor
Surge Protion	6KV
Fixture Colour	Grey (RAL9007)
Operating temp (°C)	-40~45°C
Mounting	Post top Spigot : 60mm (2-3/8") 76mm (3.0") / 89mm (3.6") as adaptor
Net Weight	8.8kg
Warranty (YRS)	Standard 5 years