



# RoadWise Speed Radar Sign

## Solar Powered

### Applications

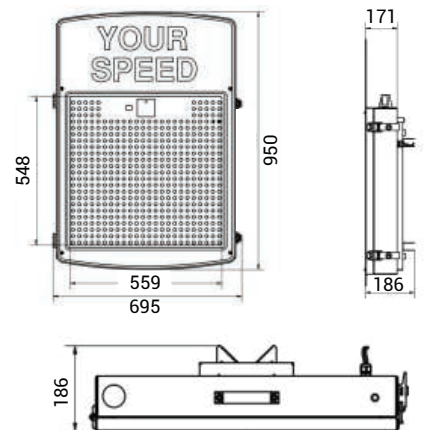
- Roadworks
- School Zones
- Special Events
- Construction sites
- Aged Care precincts
- Gated Communities
- Hazardous Industrial Sites



### Advantages

- Real-time speed feedback for drivers
- Increases awareness of speed limits
- Promotes responsible driving habits
- 80% of drivers will reduce their speed
- Increased safety, saving lives
- Self-powered by solar energy
- Low to zero maintenance costs
- Environmentally friendly

Maintaining appropriate speeds on our roads is crucial for ensuring the safety, particularly in locations where roadworks is in progress or around construction sites. Radar speed signs have emerged as a highly effective tool in controlling and reducing speeding. By employing cutting-edge technology to provide real-time feedback to drivers, these signs play a vital role in encouraging responsible driving habits and creating safer road environments.



# RoadWise Speed Radar Sign

Solar Powered

## Specification

Details	RoadWise - Radar Speed Sign (Solar Powered)
Reference	
Product Code	RW-RSS
LED Display	
Size	558mm W x 548mm H
Colours	Red, Orange, Green & White
Product Details	
Sign Size	695mm W x 950mm H
Sign Colour	White or Amber
Sign Mounting Height	2.5 - 3.5m
Battery	
Type	AGM
Capacity	20Ah
Solar Panel	
Power	50W/18V
Cell type	Monocrystalline Panel
Life Span	25 Years
Radar	
Distance	2.5m - 100m
Operation	Movement Activated
Environmental	
Working Temperature	-10°C to 60 °C
Water Resistance	IP66
Base	
Concrete (Optional)	0.77m x 0.77m x 0.5m H, 650kg